



WLC 2/A2/C/2 Precision Balance

More information on the website  
[radwag.com/en/info,w1,UVT](http://radwag.com/en/info,w1,UVT)



WLC 2/A2/C/2 Precision Balance

The drawings, photos and graphics used are for illustrative purposes only.

## Functions



Plus/Minus Control



Percent Weighing



Totalizing



Parts counting



Internal battery



Peak hold



Newton unit  
measurement

# Datasheet

WLC 2/A2/C/2 Precision Balance	
<b>Metrological parameters</b>	
Maximum capacity [Max]	2 kg
Readability [d]	0,01 g
Verification scale interval [e]	-
Tare range	-2 kg
Repeatability	0,015 g
Linearity	±0,03 g
Stabilization time	3 s
Adjustment	internal (automatic)
<b>Physical parameters</b>	
Leveling system	manual
Display	LCD (backlit)
Protection class	IP 43
Weighing pan dimensions	195×195 mm
Packaging dimensions	470×380×336 mm
Net weight	3,6 kg
Gross weight	5,1 kg
<b>Communication interface</b>	
Communication interface	2×RS232, USB-A, USB-B
<b>Electrical parameters</b>	
Power supply	Adapter: 100 – 240V AC 50/60Hz 0,6A; 12V DC 1,2A Balance: 10 – 15VDC 0,6A max
Operation time on batteries	15 h (average time)
<b>Environmental conditions</b>	
Operating temperature	+15 ÷ +30 °C
Relative humidity	10% ÷ 85% RH no condensation

Repeatability is expressed as a standard deviation from 10 weighing cycles. Stabilization time depends on the ambient conditions and the dynamics of weighing pan loading; specified for FAST profile.



## Accessories

Balance Storage Case  
Antivibration Tables  
RS 232 cables (scale - printer)  
Cigarette lighter receptacle power supply cables  
Density determination KIT  
RS 232 – Ethernet Converter  
Displays

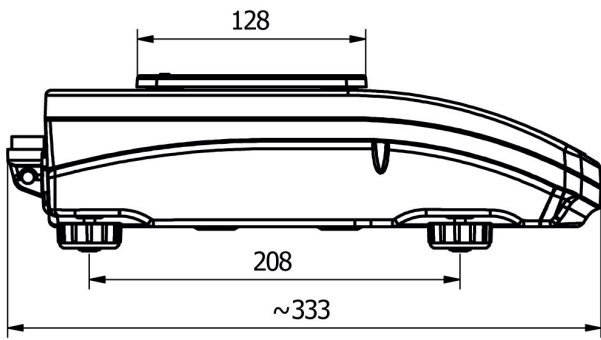
Receipt Printer  
AP2-1 Current Loop Unit  
RS 232, RS 485 cables  
Protective cover for balances  
Under-Pan Weighing Rack  
RS 232 – RS 485 Converter

## Software

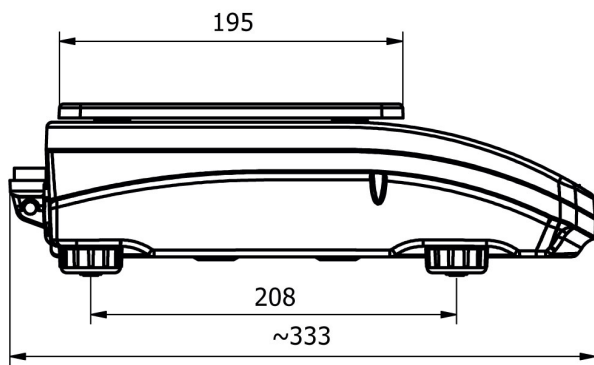
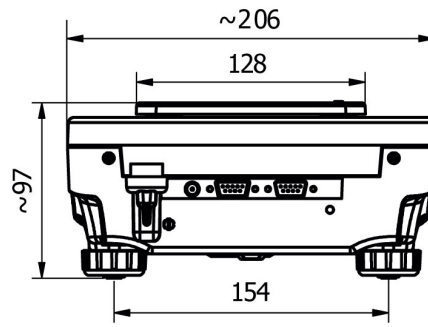
RAD-KEY  
R-LAB

LabVIEW Driver  
Scales Editor 2.1

## Device dimensions



WLC A1



WLC A2

